

SGA-7TA

SS7 Network Monitoring and Traffic Analyzer System

SGA-7TA

AITIA's SGA-7TA system is designed to monitor SS7/E1 signaling links, to analyze ISUP calls, to provide various message and call statistics, and to trigger notifications based on user-defined events. The monitoring feature gives the possibility to inspect signaling units and links on the bit level and reveal link failures. Call analysis is based on call data records, which are generated on-line from the ISUP messages and can be searched using sophisticated filtering expressions. Statistics range from simple message counts to measurements like Answer Seizure Ratio (ASR) and Network Efficiency Ratio (NER). Notifications can be triggered by link status changes as well as by statistic values threshold events.



Priceless in Many Ways

Regular evaluation of the call statistics will provide an accurate picture on traffic, actual trends, chances and probable intensity of extreme situations. In cases of extreme capacity situations the system is generating alerts to keep you up-to-date regarding network issues, thus enabling maximum efficiency when quick action is needed. In addition to online applications, the call data records are there to provide an excellent base for all sorts of statistics, and are also available when investigating complaints or locating faults in the network.

Main Features

- Non-intrusive 7/24 monitoring and capturing of SS7/E1 data streams
- System wide alarm handling
- Comprehensive message statistics
- Generating, storing and archiving ISUP Call Data Records (CDRs)
- Sophisticated search possibilities in the CDRs
- Detailed protocol decoding, filtering
- Statistics generation according to international standards (ASR, NER)
- Generating alerts (performance, network defaults)
- Forwarding alerts to NOC via e-mail, SNMP or Telnet command execution
- Centralized remote administration
- Rigorous user authentication to avoid fraudulent access



AITIA International, Inc.

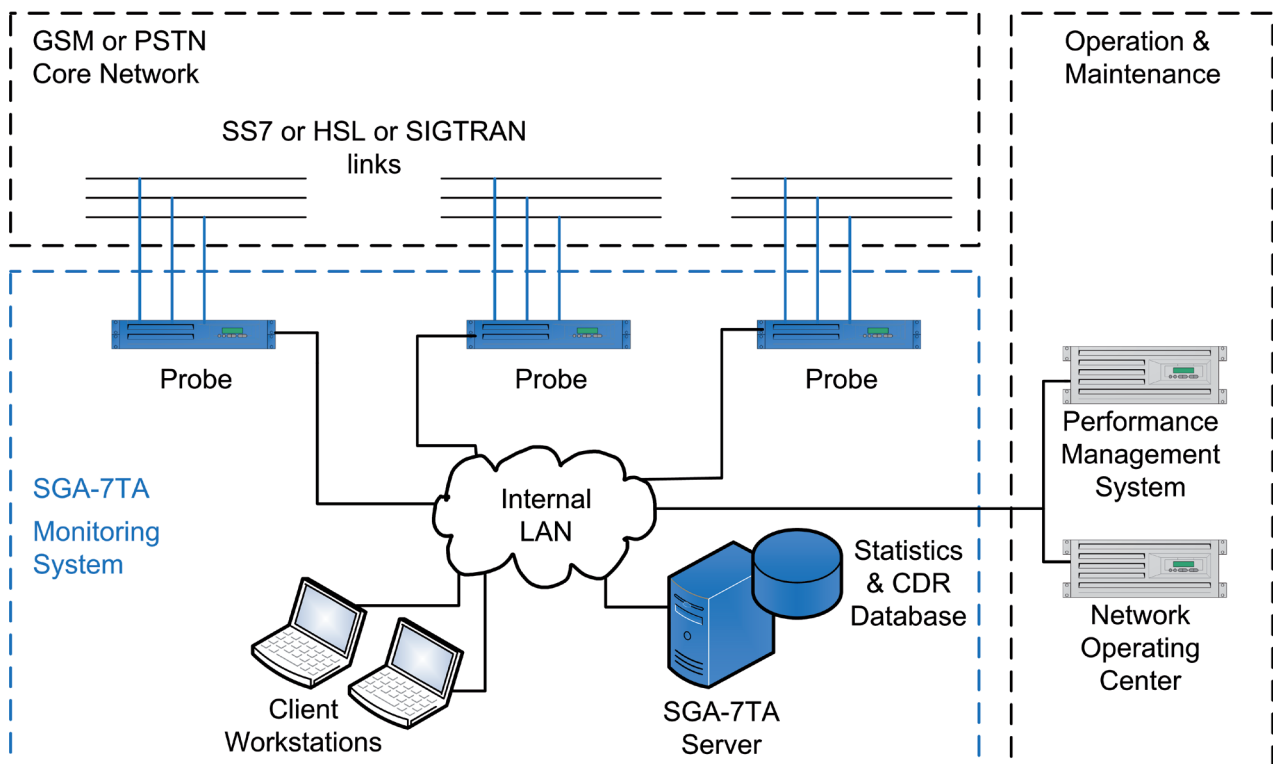
Czetz J. utca 48-50., H-1039 Budapest, Hungary
Tel.: +36 30 748-4575, +36 1 453-8080 Fax: +36 1 453-8081
E-mail: info@aitia.ai
www.aitia.ai

SGA-7TA

SS7 Network Monitoring and Traffic Analyzer System

Low Level Technical Details

- Built on industrial grade PCs and SGA interface cards
- Simple, modular and scalable architecture
- Uses TCP/IP for the connections between the components
- Robust against data loss in case of IP connection break-down or power failure
- Multi-level logging in the program modules



AITIA Telecommunications References



AITIA International, Inc.

Czetz J. utca 48-50., H-1039 Budapest, Hungary

Tel.: +36 30 748-4575, +36 1 453-8080 Fax: +36 1 453-8081

E-mail: info@aitia.ai

www.aitia.ai